

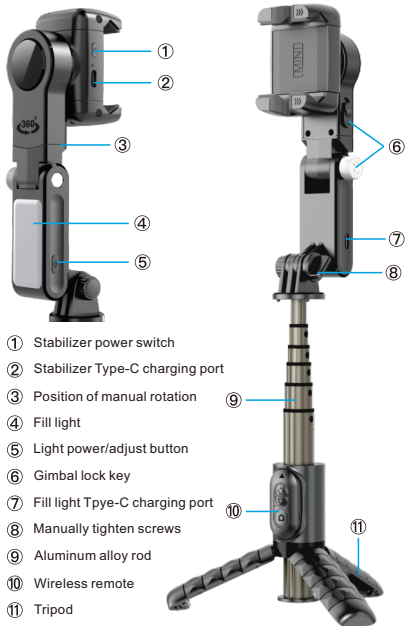
Selfie Stick

Gimbal Stabilizer Q09

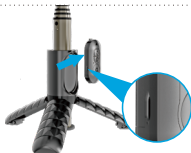


User Manual

Operation interface

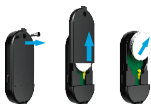


Take out & Put in



Swipe up to
take out the remote.

How to replace the battery



Remove the screw
Slide the battery cover up,
You can replace the battery.

Open the Tripod



Open outwards at the
bottom of the handle
and become tripod mode.

How to connect

- 1. Switch on and off:** press and hold the camera button for 3s to switch on and off;
- 2. Wireless pairing:** The indicator light flashes for 4s to enter the pairing state, the pairing status indicator flashes, use the mobile phone to search for "**Gimbal Pro**" to match, and the indicator light goes out after the pairing is successful.
- 3. Camera button: Long press:** switch the machine;
Click: take pictures or videos (start/stop)
- 4. No pairing:** After power on, in the state of no pairing connection, it will automatically shut down if there is no operation for 5 mins.
- 5. Pairing:** After power on, when the Selfie is connected to the mobile phone, it will enter the sleep state without any operation for 10 mins, and it will automatically shut down after 10 mins of inactivity.
- 6. Power off:** In the power-on and sleep state, press and hold the camera button for 3s to shut down, and the indicator light will flash and turn off.

Fill light function



Operation of fill light

Long press: switch machine

Click: adjust the light mode and brightness

/Turn of the flash mode

Double press: turn on flash mode

Lighting mode:

White light: Soft, Medium, Bright;

Warm light: Soft, Medium, Bright;

Natural light: Soft, Medium, Bright.

*At any time, long press the power button,
turn off the lights and remember

Number of white lights: 7

Number of warm lights: 7

White light color temperature: 6500K

Lumen: 40 lm

Power: 0.6W

Warm light color temperature: 3000K

Lumen: 40 lm

Power: 0.6W

Mixed light color temperature: 4283K

Lumen: 60 lm

Power: 1.2W

Battery capacity: 400mAh

Power consumption: 1.2W

Charging current/input current: 0.5A

Working current/output current: 0.3A

How to use the Gimbal

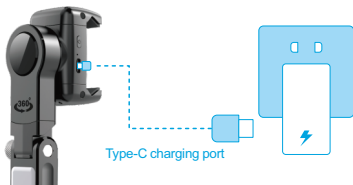


Mount the phone in the middle of the phone clip and keep balance, press and hold the power button for 5s to turn on, and 3s to turn off.
(Note: The phone lens and the power button must be on the same side.)



Pull the ring of the lock outwards, Slide up to lock the gimbal as a selfie stick; Slide down to unlock the gimbal as a stabilizer.
(Note: Return the lock ring to lock)

How to charge the Gimbal



When the gimbal battery is too low, there will be a red light flashing reminder. At this time, the Type-C charging cable should be used to charge. The red light is always on when charging, and the light is off when fully charged.

Remote control



Desktop Gimbal Mode



Click : Change Landscape Mode & Portrait Mode

Long Press : Dextrorotation Dreamspace Mode

Double-click : Jumping Dreamspace Mode



Click : POV Semi-follow Mode

Long Press : Levorotation Dreamspace Mode

Double-click : 260° Dreamspace Mode



Long Press : Turn on/off the remote control

Click : Take a photograph & Shoot

Note: Please refer to "Bluetooth Connection" for bluetooth connection method.



Desktop Gimbal Mode



Click : Rotate 30° to the left
Long Press : Keep rotating left
Double-click : Turn on face tracking

Click : Rotate 30° to the right
Long Press : Keep rotating left
Double-click : Turn on face tracking

Long Press : Turn on/off the remote control
Click : Take a photograph & Shoot

Note: The face tracking mode is only effectively turned on and off when entering the APP shooting interface. After turning on, it can be used in the background.

Desktop gimbal mode



① Open the stabilizer



② Rotate back 180°



③ Use the gimbal lock to adjust and then lock it



④ Use the gimbal lock to adjust and then lock it



- ⑤ Use the side of the phone to prop and push the clip



- ⑥ Hold the phone tightly on the clip



360°

⑦

First place the tripod on a level surface, then turn on the gimbal and connect the remote control, then use the remote control with your mobile phone as needed.

Specification

- Main Material: ABS+Aluminum alloy
- Mount Holder:43-84mm(horizontal)
7-14mm(portrait)
- Folded Length:155mm
- Extended Length:700mm
- Product Size:155x75x66mm
- Product Weight:260g
- Remote Control Battery:CR1632(replaceable)
- Working voltage :3.7V
- Working current: 100mA (Max1800mA)
- Average power consumption:1.8W
- Charging time: 2h
- Gimbal Battery :500mAh

(Batteries must not be exposed to sunlight, fire or similar overheating)



REMIND

- Selfie Stick compatible with Android4.4 and above& iOS 5.1and above(if you change the system's "volume buttonfunction" under your phone's camera option,be sure to change it to default, or "take apicture" to make the selfie stick work)
- The clip must be held tightly when the phone is clamped.

- 1.Gimbal Stabilizer Mode:the best use in the 3 rods
- 2.Selfie Stick Mode:6 rods are recommended

Thank you for your support!